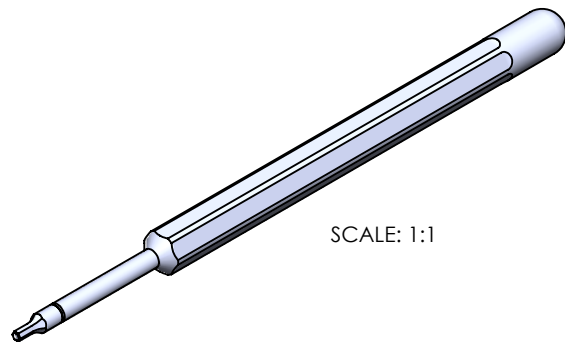


DETAIL A
SCALE 6 : 1



UNLESS OTHERWISE SPECIFIED: DIMENSIONS ARE IN INCHES			TOLERANCES: X.XX= ±0.13 X.XXX= ±0.015 X.XXXX= -0.0012		
DRAWN	NAME	SIGN	DATE		
APP'VD	A.T.		02.21.19		TITLE: 1.3MM HEX PRECISION MINI SCREWDRIVER
MATERIAL: 465 MAGNETIC S.S.					PART NO. 11251_SP1.3
THIS DRAWING IS THE PROPERTY OF STERITOOL, INC. ANY REPRODUCTIONS OR MODIFICATIONS OF THIS DRAWING OR ITS CONTENTS WITHOUT THE CONSENT OF STERITOOL, INC. IS PROHIBITED.					SCALE: 2:1 SHEET 1 OF 1
					REV: A